

SENTIENT BLIND AFTER BEAT

COLOR LINE UP

Chic Modern series

Chic Modern series [Aqua]

Chic Modern / AFTER BEAT 50 Aqua <10 colors>

Slats differ between Chic Modern and AFTER BEAT 50 Aqua.



Luxe Modern series

Luxe Modern <10 colors>

Resin slats of AB-7101 and AB-7102 are only applicable for 50mm width.



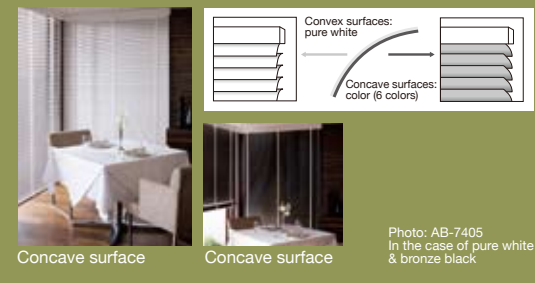
Eco Natural series

Eco Natural Color (Thermal Barrier Coating Slat) <6 colors>



About Eco Natural Color Series

Eco Natural Color is offered in two-tone colors. The two different colors on convex and concave surfaces of slat are pleasing.



Natural Color series

Natural Color <12 colors>

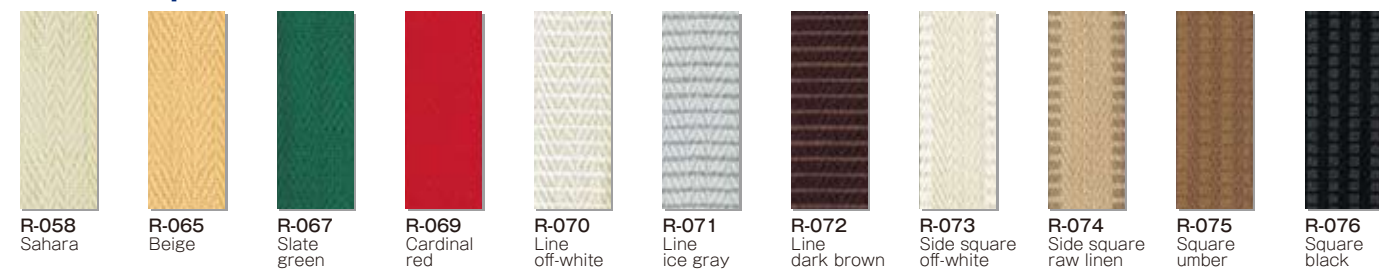


Comfort Modern series

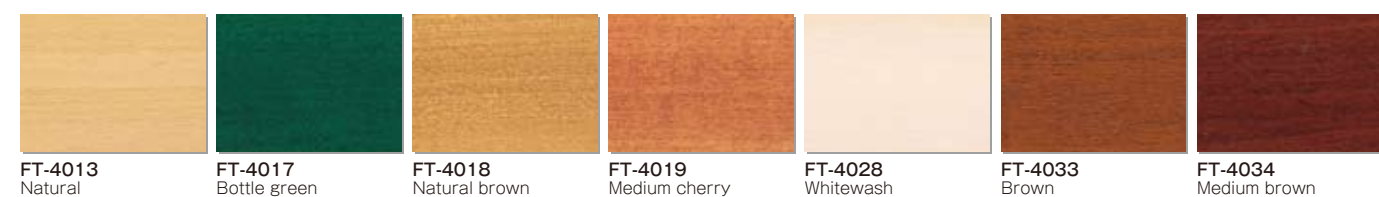
Comfort Modern <4 colors>



Ladder Tape Colors



Wood Material Colors



SENTIENT BLIND AFTER BEAT

Combination of three materials: aluminum, wood and fabric

TACHIKAWA CORPORATION

TEL : 03-5484-6100 FAX : 03-5484-6200 <http://www.blind.co.jp>

TACHIKAWA TRADING CO., LTD.

TEL : 03-5568-2855 FAX : 03-5568-2858 E-MAIL : ttc@blind.co.jp

SENTIENT BLIND AFTER BEAT

Combination of three materials: aluminum, wood and fabric, adds harmony and distinction to your personal space.



New New release of “Eco Natural Color Series” Thermal barrier coating slat realizes eco-friendly with design

The thermal barrier coating slat as “Eco Natural Color Series” has excellent heat shielding. Since it reflects strong sunlight more effectively than general slats, it increases the cooling efficiency for air conditioner. So it's eco-friendly and Money wise. Furthermore, two-tone design slat can be enjoyed two difference colors in one unit.

General slat

Little reflection

Thermal barrier coating slat

Significant reflection

Reduce air conditioning load by preventing the rise of room temperature!

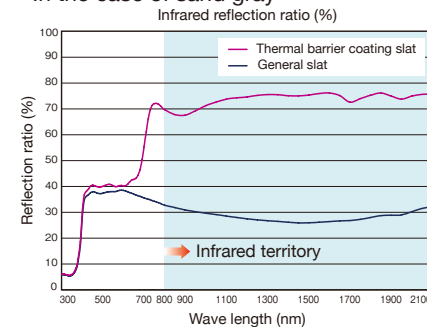
An earth-friendly and comfortable office!

In the case of sand gray:
The reflection ratio is about **2.5** times higher
The temperature of the blind is **-3.7℃**

● Performance of Infrared Reflection Ratio

| Slat Type | Color Name | |
|---|--------------|--------------|
| | Pure white | Sand gray |
| General slat | 72.4% | 29.1% |
| Eco natural color (Thermal barrier coating slat) | 73.0% | 71.6% |

● In the case of sand gray



PRODUCT TYPE & SPECIFICATION

| Ladder Specifications | Narrow slats are recommended for small windows and tall windows. Slat width: 35mm | | | Wide slats are recommended for terrace windows. Slat width: 50mm | |
|----------------------------|--|---------------------------|---------------------------|---|---------------------------|
| | AFTER BEAT 35 [Pole type] | AFTER BEAT 35 [Cord type] | AFTER BEAT 35 [Loop type] | AFTER BEAT 50 [Cord type] | AFTER BEAT 50 [Loop type] |
| Ladder Cord Specifications | | | | | |
| Ladder Tape Specifications | | | | | |
| Available sizes | Product width | 330~2000mm | 450~2400mm | 450~2400mm | 450~2400mm |
| | Product height | 300~2500mm | 500~3000mm | 500~5000mm | 500~3000mm |
| | Max. area | 4.0m ² | 4.0m ² | 7.0m ² | 4.0m ² |

■ AB-7101 (Frost white) and AB-7102 (Frost brown) are only available for slats 50mm in width and are not applicable for 35mm product types.
■ In the cases of the Loop type with a product width of 570mm or less, available product heights are 2500mm or less.
■ (Safety Joint Specifications) are applicable for Pole types and Cord types.

■ Type of Operation

Pole Type

Specially for AB35 or 35R

Cord Type

For All Items

Loop Cord Type

For All Items

■ Type of Valance (Optional)

| Natural Wood Valance 21 colors in 3 styles | | | Modern Material Valance 10 colors in 3 series (Only applicable for Valance Set) | |
|--|-----------------------|-------|---|--|
| Flat style | Flat style metal line | | Step style | |
| | Silver | Brown | | |

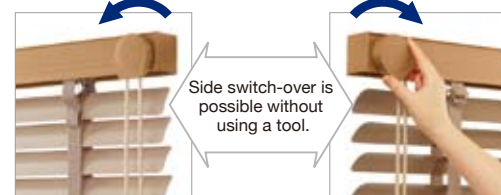
New New release of water-resistant “AFTER BEAT Aqua” Suitable for use in the place with moisture

Ten items centering on the popular grain pattern can be enjoyed in the kitchen, bathroom and other place with moisture. Enabling luxurious moments of resort-like relaxation in everyday space.



New “Side Switch-Over Function” convenient for rearranging rooms released!

Side Switch-Over Function has been added to the Loop type. When you wish to change the operation position due to room rearrangements, etc., you can switch over from left to right or vice-versa easily without using a tool.



New The operability and available sizes of the Loop type have been significantly improved.

Loop Type suitable for large windows. With the operational load reduced by about 30% compared to conventional company products, operation has been made easier than before. In addition, the available sizes have been extended to the maximum area of 7.0m² from the previous 6.0m²!

Operation power reduced by **30%**
(Compared to conventional company products)

New “Height Adjustment Function” Perfectly adjustable to window frames or floors **Industry's First**

The height of blinds after installation can now be easily adjusted (up to approximately 30mm). This function is standard for all types of AFTER BEAT. This enables the blinds to accurately fit inside a window frame, thus resolving the issue of the unpleasant sound of blinds hitting the window frame.



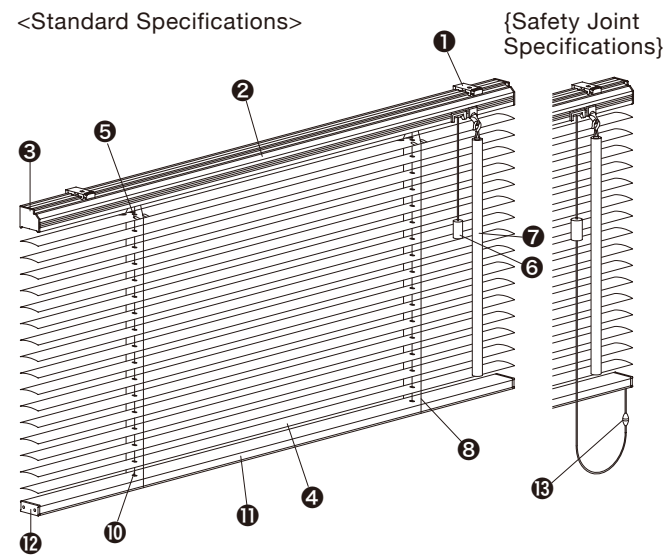
<Ladder Cord Specification> The height can be adjusted with a coin or flat-braid screwdriver.
<Ladder Tape Specification> The height can be adjusted without using a tool.

SENTIENT BLIND AFTER BEAT

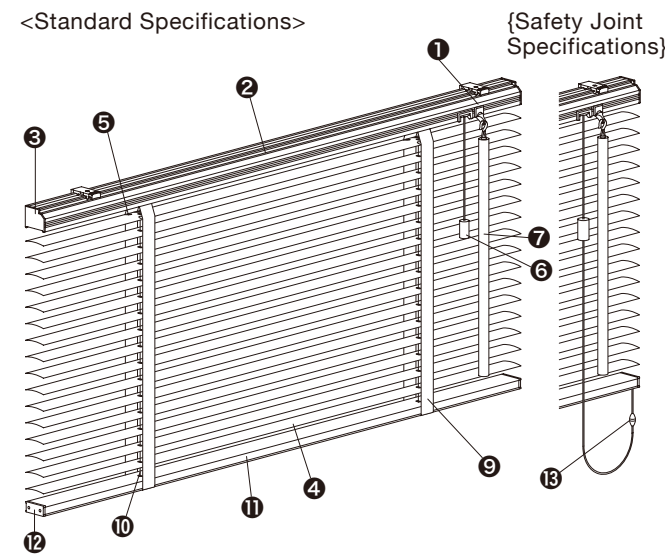
STRUCTURE & COMPONENTS

(Unit: mm)

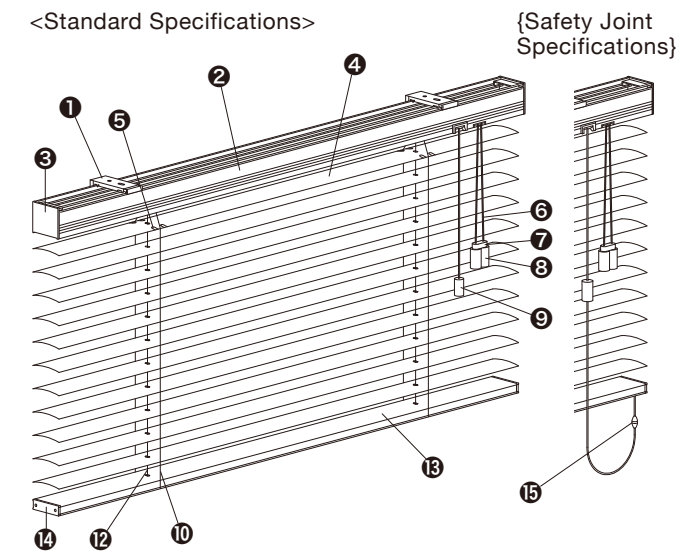
AFTER BEAT 35 [Pole type]



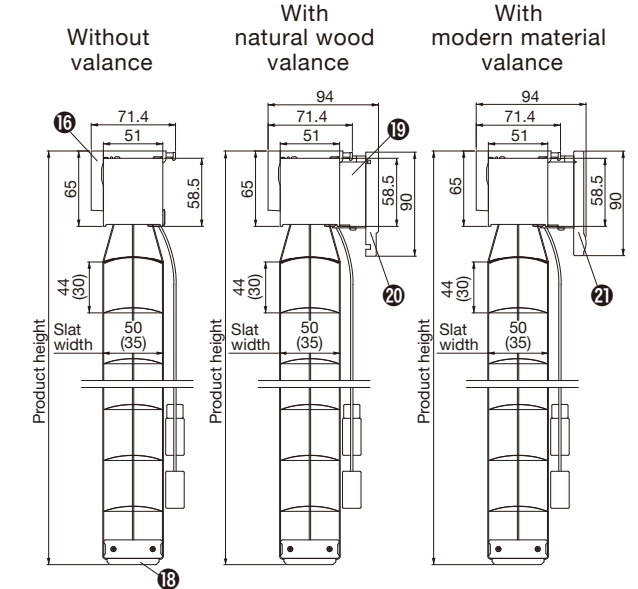
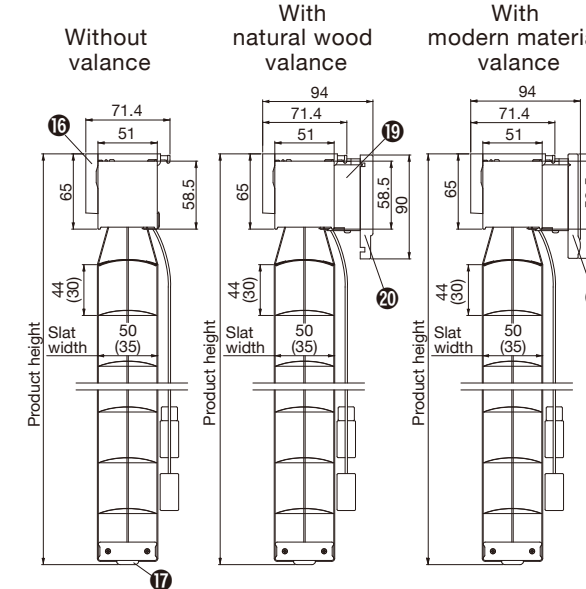
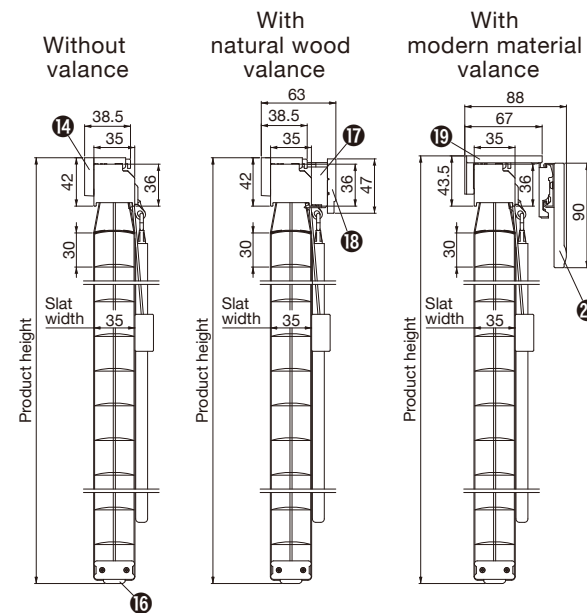
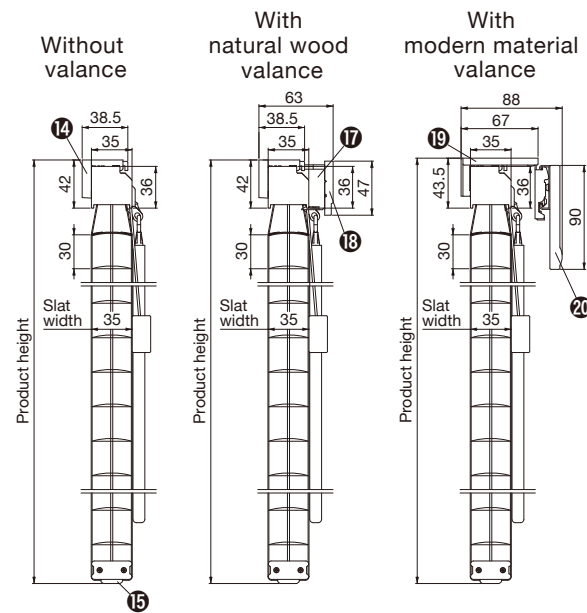
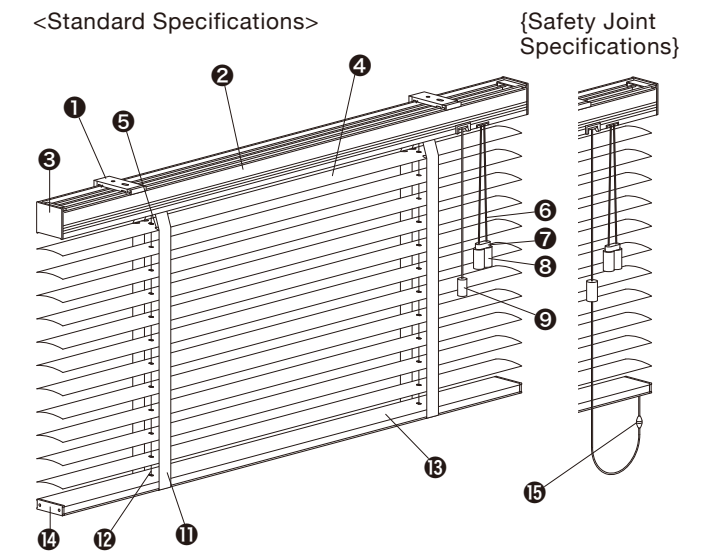
AFTER BEAT 35R [Pole type]



AFTER BEAT 35 / 50 [Cord type]



AFTER BEAT 35R / 50R [Cord type]



Part Name and Material

| Part Name | Material | Color |
|--------------------|------------------------------------|----------------------------------|
| 1 Mounting Bracket | Stainless alloy, Plastic | Resin plastic: Clear |
| 2 Head Rail | Extruded aluminum | 13 colors similar to Bottom Rail |
| 3 Head Rail Cap | Plastic | 13 colors similar to Head Box |
| 4 Slat | Corrosion-resistant aluminum alloy | 40 colors |
| 5 Slat Holder | Corrosion-resistant aluminum alloy | 26 colors similar to slat color |
| 6 Tassel | Basswood | 17 colors similar to Bottom Rail |
| 7 Tilt Pole | Basswood | 17 colors similar to Bottom Rail |
| 8 Ladder Cord | Polyester | 13 colors similar to slat color |
| 9 Ladder Tape | Polyester | 26 colors |
| 10 Lift Cord | Polyester | 13 colors similar to slat color |

| Part Name | Material | Color |
|-----------------------------|--|---|
| 11 Bottom Rail | Basswood | 19 colors in total |
| 12 Bottom Rail Plate | Plastic | 13 colors similar to Bottom Rail |
| 13 Safety Joint | Plastic | Milky white |
| 14 Bracket Cap | Plastic | 13 colors similar to Head Box |
| 15 Tape Holder | Plastic | 13 colors similar to Bottom Rail |
| 16 Bottom Holder | Plastic | 13 colors similar to Bottom Rail |
| 17 Valance Holder | Plastic | Clear |
| 18 Natural Wood Valance | Basswood Metal line portion: Extruded aluminum | 19 colors identical to Bottom Rail Metal line portion: 2 colors of silver and brown |
| 19 Valance Mounting Bracket | Steel plate press molding | |
| 20 Modern Material Valance | Extruded aluminum | 10 colors |

Part Name and Material

| Part Name | Material | Color |
|--------------------------|--|--|
| 1 Mounting Bracket | Stainless alloy, Plastic | Resin plastic: Clear |
| 2 Head Rail | Extruded aluminum | 13 colors similar to Bottom Rail |
| 3 Head Rail Cap | Plastic | 13 colors similar to Head Box |
| 4 Slat | Corrosion-resistant aluminum alloy Extruded plastic | Corrosion-resistant aluminum alloy: 40 colors Extruded resin: 2 colors (resin is only 50mm) |
| 5 Slat Holder | Corrosion-resistant aluminum alloy | 26 colors similar to Slat color |
| 6 Opening / Closing Cord | Polyester | 13 colors similar to Slat color |
| 7 Level Tassel | Basswood | 17 colors similar to Bottom Rail |
| 8 Tilt Tassel | Basswood | 17 colors similar to Bottom Rail |
| 9 Lift Tassel | Basswood | 17 colors similar to Bottom Rail |
| 10 Ladder Cord | Polyester | 13 colors similar to Slat color |

| Part Name | Material | Color |
|----------------------------|--|---|
| 11 Ladder Tape | Polyester | 26 colors |
| 12 Lift Cord | Polyester | 13 colors similar to Slat color |
| 13 Bottom Rail | Basswood | 19 colors in total |
| 14 Bottom Plate | Plastic | 13 colors similar to Bottom Rail |
| 15 Safety Joint | Plastic | Milky white |
| 16 Bracket Cap | Plastic | 13 colors similar to Head Box |
| 17 Tape Holder | Plastic | 13 colors similar to Bottom Rail |
| 18 Bottom Holder | Plastic | 13 colors similar to Bottom Rail |
| 19 Valance Holder | Plastic | Clear |
| 20 Natural Wood Valance | Basswood Metal line portion: Extruded aluminum | 19 colors identical to Bottom Rail Metal line portion: 2 colors of silver and brown |
| 21 Modern Material Valance | Extruded aluminum | 10 colors |

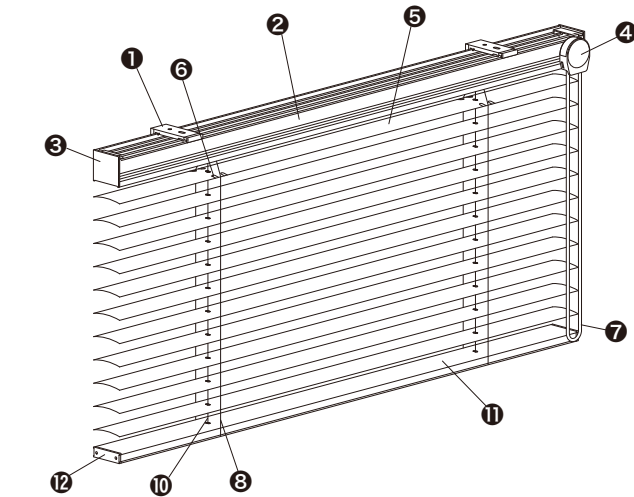
SENTIENT BLIND AFTER BEAT

STRUCTURE & COMPONENTS

(Unit: mm)

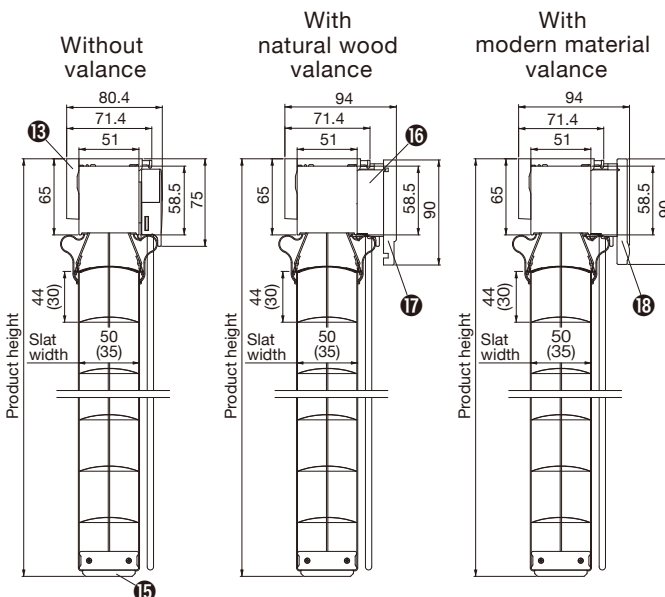
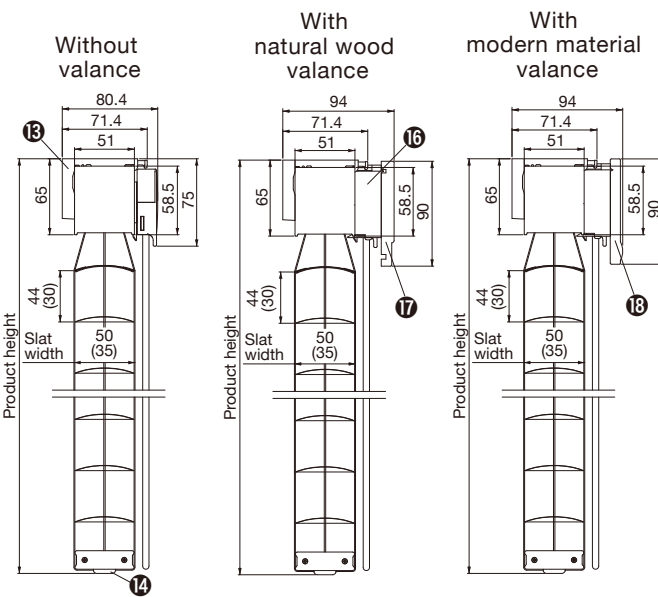
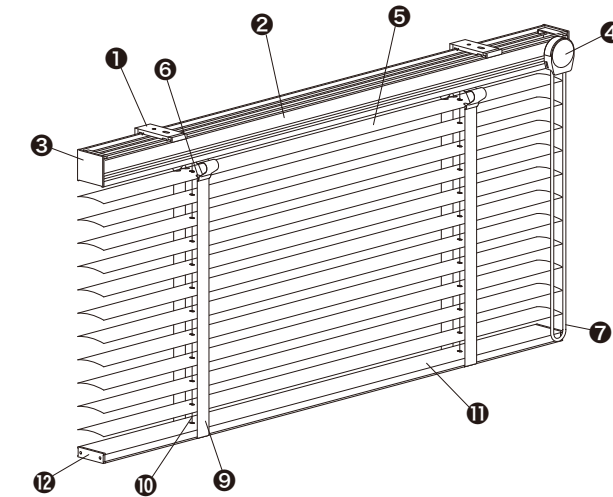
AFTER BEAT 35 / 50 [Loop type]

<Standard Specifications>



AFTER BEAT 35R / 50R [Loop type]

<Standard Specifications>



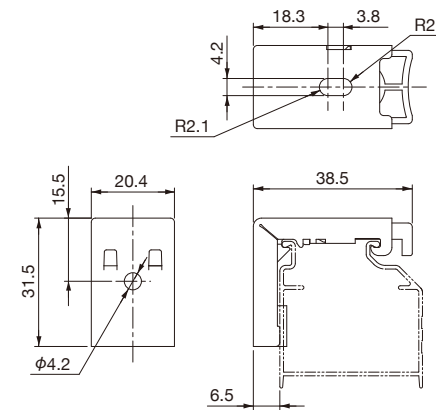
Part Name and Material

| Part Name | Material | Color |
|--------------------|--|--|
| 1 Mounting Bracket | Stainless alloy, Plastic | Plastic: Clear |
| 2 Head Rail | Extruded aluminum | 13 colors similar to Bottom Rail |
| 3 Head Rail Cap | Plastic | 13 colors similar to Head Box |
| 4 Operation Pulley | Plastic, etc. | 13 colors similar to Head Box |
| 5 Slat | Corrosion-resistant aluminum alloy, Extruded plastic | Corrosion-resistant aluminum alloy: 40 colors Extruded resin: 2 colors (resin is only 50mm) |
| 6 Slat Holder | Corrosion-resistant aluminum alloy | 26 colors similar to slat color |
| 7 Operation Cord | Polyester | 13 colors similar to slat color |
| 8 Ladder Cord | Polyester | 13 colors similar to slat color |
| 9 Ladder Tape | Polyester | 26 colors |

| Part Name | Material | Color |
|----------------------------|--|--|
| 10 Lift Cord | Polyester | 13 colors similar to slat color |
| 11 Bottom Rail | Basswood | 19 colors |
| 12 Bottom Plate | Plastic | 13 colors similar to Bottom Rail |
| 13 Bracket Cap | Plastic | 13 colors similar to Head Box |
| 14 Tape Holder | Plastic | 13 colors similar to Bottom Rail |
| 15 Bottom Holder | Plastic | 13 colors identical to Bottom Rail |
| 16 Valance Holder | Plastic | Clear |
| 17 Natural Wood Valance | Basswood lumber Metal line part: Aluminum extrusion | 19 colors identical to Bottom Rail 2 colors of silver and brown |
| 18 Modern Material Valance | Aluminum extrusion | 10 colors |

Bracket Specification

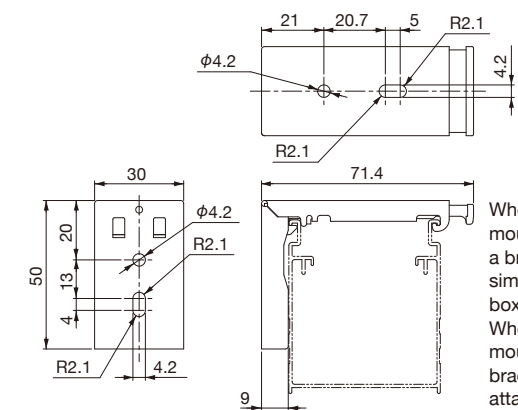
Pole Type



When the product is mounted to the ceiling, a bracket cap of a similar color to the head box is attached. When the product is mounted to the wall, a bracket cap is not attached.

| Product Width | Number of Brackets |
|---------------|--------------------|
| 330~1500mm | 2 |
| 1510~2000mm | 3 |

Cord Type/Loop Type



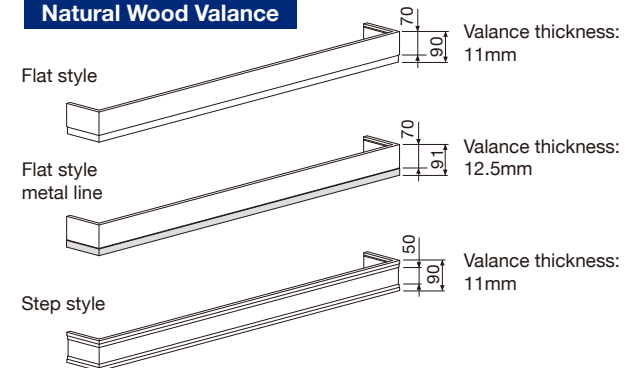
When the product is mounted to the ceiling, a bracket cap of a similar color to the head box is attached. When the product is mounted to the wall, a bracket cap is not attached.

| Product Width | Number of Brackets |
|---------------|--------------------|
| 450~1830mm | 2 |
| 1840~2400mm | 3 |

Valance Specification

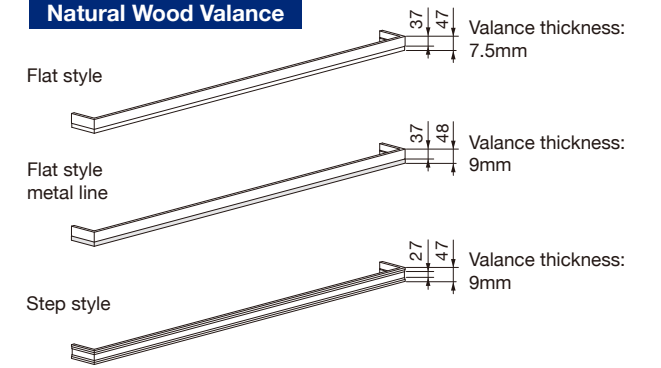
L Type for 35/35R/50/50R [Pole/Cord/Loop type]

Natural Wood Valance

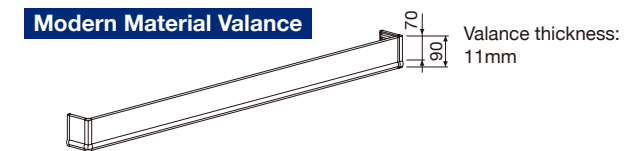


S Type for 35/35R [Pole type]

Natural Wood Valance



Modern Material Valance



Product Weight

| | | Head Box Portion | Slat + Bottom Rail | Valance (wooden) |
|--------------------------------|----------|------------------------------|--|-------------------------------|
| 35/35R [Pole type] | | Product width (m) × 0.5 [kg] | (Product width (m) × Product height (m) × 0.8) + (Product width (m) × 0.15) [kg] | Product width (m) × 0.2 [kg] |
| 35/35R [Cord type/Loop type] | | Product width (m) × 0.8 [kg] | (Product width (m) × Product height (m) × 0.8) + (Product width (m) × 0.15) [kg] | Product width (m) × 0.35 [kg] |
| 50/50R [Cord type / Loop type] | Aluminum | Product width (m) × 0.8 [kg] | (Product width (m) × Product height (m) × 0.8) + (Product width (m) × 0.3) [kg] | Product width (m) × 0.35 [kg] |
| | Resin | | (Product width (m) × Product height (m) × 1.0) + (Product width (m) × 0.3) [kg] | |