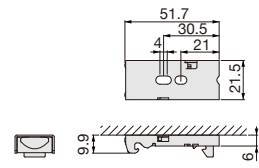


## Bracket Specification

### Mounting Bracket (unit: mm)

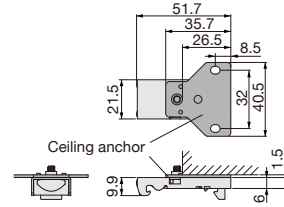
● For Ceiling installation

The mounting bracket is directly attached to ceiling.



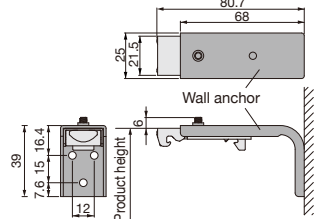
● Ceiling installation (with support plate)

This is used when it is desired to bring the mounting bracket forward.  
\*Available only for the Cord type.



● Wall installation (with support plate)

A set combining support plate and mounting bracket is mounted to wall surfaces.



● Number of Accessories

Product Width	Quantity
300~1000mm	2
1010~2200mm	3
2210~2900mm*	4

Available only for the Chain type for products whose width is 2,210mm or wider.

## Other Type

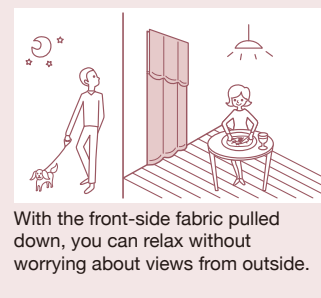
### Upper-part lighting Type

- The back-side fabric consists of upper-part fabric (lighting portion) and lower-part fabric. When the front-side fabric is pulled up, daylight can be easily let in.
- Daylight can be easily let in from above, while views from the outside are cut off, enabling a brighter room.



Even on the first floor of a house or condominium building, daylight can be surely let in with privacy protected.

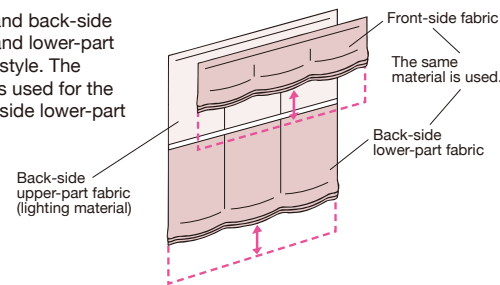
Daylight can be let in from above, while views from the outside are cut off.



With the front-side fabric pulled down, you can relax without worrying about views from outside.

### Introduction of Patterns

Both the front and back-side fabrics (upper and lower-part fabrics) are flat style. The same material is used for the front and back-side lower-part fabrics.



### Operation Methods / Available Sizes

(Both width and height are available in 10mm units.)

\*Available sizes differ depending on the type and style of fabric.

Operation Method	Cord Type	
	Flat	
Compliant style	Flat	
Height of back-side upper-part fabric (lighting material)	500mm	700mm
Finished height of front-side fabric	550mm	750mm
Product width	300mm~2200mm	
Height of back-side product (*1)	1000mm~3000mm	1400mm~3000mm
Max. area (*2)	5.5m <sup>2</sup>	

(\*1) Height of upper-part fabric (lighting material) included.

(\*2) Indicates back-side product width x height.

### Large Type



### Specification

Operation Method	Loop Cord Type		
	Flat Shaper	Bamboo Sudare	Kyogi Sudare
Product Width	1000~3900mm	1000~2700mm	1000~3000mm
Product height	1000~5000mm	1000~3000mm	1000~3000mm
Max. area	19.5m <sup>2</sup>	8.1m <sup>2</sup>	9m <sup>2</sup>



# ROMAN SHADE **CREAS**

(Double Type)

TACHIKAWA CORPORATION  
TEL : 03-5484-6100 FAX : 03-5484-6200 <http://www.blind.co.jp>

TACHIKAWA TRADING CO., LTD.  
TEL : 03-5568-2855 FAX : 03-5568-2858 E-MAIL : [ttc@blind.co.jp](mailto:ttc@blind.co.jp)

# ROMAN SHADE CREAS (Double Type)



## Two in One

Both black-out and sheer fabrics can be put on a single frame of Roman Shade. This space-saving product can save the cost also compared with purchase of two separate units.

The size of front and back side fabrics can be changed according to the customers requirement, and the combination of fabrics can be freely selected (though some fabrics are excluded).

### Component color

#### Chain Type

Two colors, off-white and dark brown, are available. \*Off-white will be offered unless otherwise specified.

#### Cord Type

Two colors, off-white and dark brown, are available. \*Off-white will be offered unless otherwise specified.



### Product Width and Number of Swags/Number of Lift Cords

#### Chain Type

Product Width	Number of Swags	Number of Lift Cords
450-550mm	1	2
560-900mm	2	3
910-1400mm	3	4
1410-1900mm	4	5
1910-2400mm	5	6
2410-2900mm	6	7

#### Cord Type

Product Width	Number of Swags	Number of Lift Cords
300-550mm	1	2
560-900mm	2	3
910-1400mm	3	4
1410-2200mm	4	5

## NEW FUNCTION



### Chain Type as Double Type Released

Easily operated product enables a single chain to handle both front and back-side fabrics  
Available sizes extended to 3 meters in height

Our "Chain type," now available as a double type, can handle fabrics for even large windows, requiring only minimal effort.

A single chain can handle both front and back-side fabrics.

An operation method suitable for a particular window size can be selected, such as the traditional Cord type for relatively small windows and the newly released Chain type for large windows.

The one-chain double type is Tachikawa Corporation's proprietary product!

Available product sizes (of both the Chain type and Cord type) are now up to 3 meters in height.

For large windows  
- Easily operated Chain type **New release**




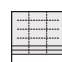
### Operation Methods / Available Sizes

(Both width and height are available in 10mm units.)

\*Available sizes differ depending on the type and style of fabric.

Operation Method	Chain Type	Cord Type
Compliant style	Flat / Shaper	Flat / Shaper
Product width	450-2900mm	300-2200mm
Product height	500-3000mm	500-3000mm
Max. area	8.7m <sup>2</sup>	5.5m <sup>2</sup>

### Compliant Style

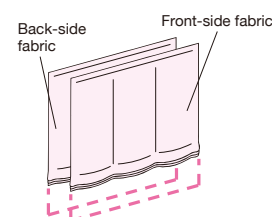
Flat Style 	78 patterns 205 items
Shaper Style 	46 patterns 152 items

### Combination of Styles

For both front and back-side fabrics, either the Flat Style or Shaper Style can be selected. Compliant styles differ depending on the fabric.

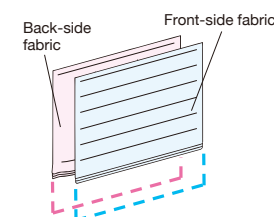
#### Combination

Front-side fabric: Flat Style  
Back-side fabric: Flat Style



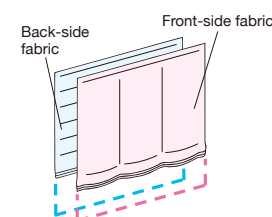
#### Combination

Front-side fabric: Shaper Style  
Back-side fabric: Flat Style



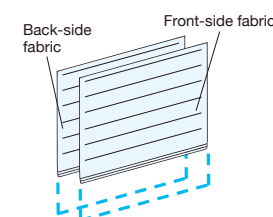
#### Combination

Front-side fabric: Flat Style  
Back-side fabric: Shaper Style



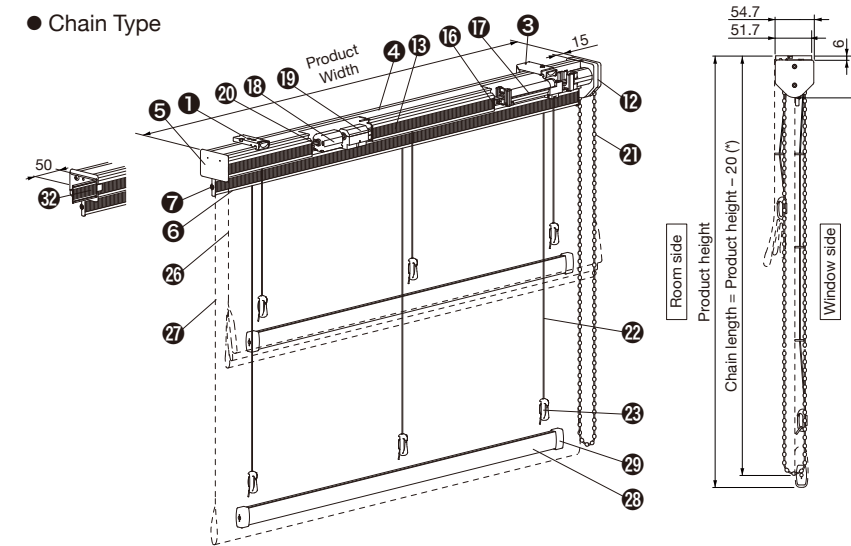
#### Combination

Front-side fabric: Shaper Style  
Back-side fabric: Shaper Style

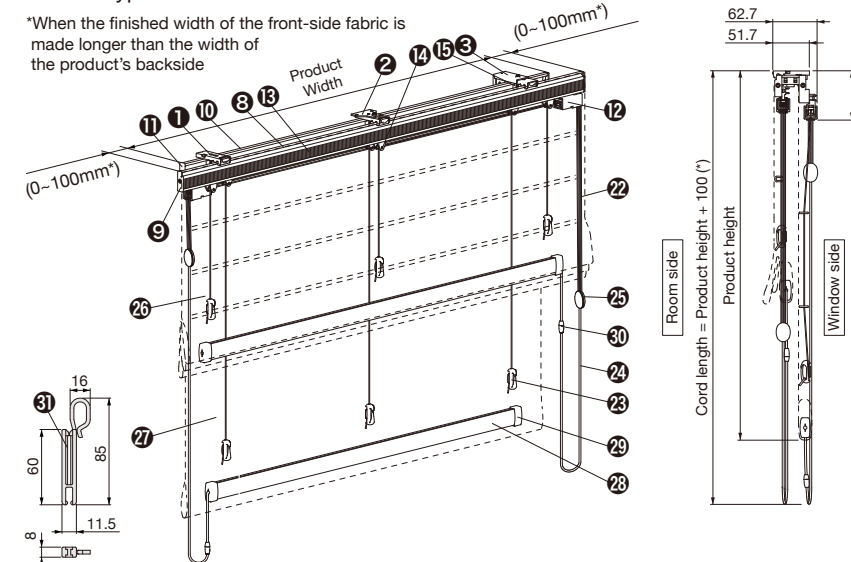


## STRUCTURE & PART NAME

#### Chain Type



#### Cord Type



### Part Name and Material

Part Name	Chain	Cord	Material
1 Mounting Bracket	○	○	Stainless steel+Plastic
2 Support plate (for ceiling fix)		○	Stainless steel+Plastic
3 Support plate (for wall fix)	○	○	Stainless steel+Plastic
4 Frame A	○		Extruded aluminum
5 Frame A Cap	○		Plastic
6 Frame B	○		Extruded aluminum
7 Frame B Cap	○		Plastic
8 Rail A		○	Extruded aluminum
9 Rail A Cap		○	Plastic
10 Rail B		○	Extruded aluminum
11 Rail B Cap		○	Plastic
12 Operation Unit	○	○	Plastic
13 Fastener A	○	○	Plastic
14 Support		○	Plastic
15 Joint		○	Plastic
16 Retainer	○		Plastic
17 Rewinding pulley		○	Plastic
18 Stopper	○		Plastic
19 Speed Control Device		○	Plastic
20 Shaft	○		Stainless steel wire rod
21 Operation Chain	○		Plastic+Polyester
22 Lift Cord	○	○	Polyester
23 Cord Catch	○	○	Plastic
24 Operation Cord		○	Polyester
25 Equalizer		○	Plastic
26 Front-Side Fabric	○	○	
27 Back-Side Fabric	○	○	
28 Weight Bar	○	○	Steel
29 Weight Bar Cap	○	○	Plastic
30 Safety Joint		○	Plastic
31 Cord Clip	○		Plastic
32 Return Fitting	○	○	Stainless steel plate press molding, Chemical fiber